



accelerate

Working Smarter With Crystal Reports

ANGELA MAY & JOSHUA BEKERMAN

bbcon 2013
Blackbaud Conference for Nonprofits

Angela May
amay@denveracademy.org
linkedin.com/in/angelakmay

Joshua Bekerman
jbekerman@collegefund.org
linkedin.com/in/joshuabekerman

► TWEET! TWEET!

#BBCON
#SMARTERREPORTS

@ANGELAKMAY
@TENTWENTYTOO

► YOU

- Custom Reporting with SAP Crystal Reports 11 in The Raiser's Edge

OR

- Introduction to SAP Crystal Reports XI in The Raiser's Edge
- Working with Formulas in SAP Crystal Reports XI and The Raiser's Edge
- Working with Subreports in SAP Crystal Reports and The Raiser's Edge
- Working with Summaries and Charts in SAP Crystal Reports and The Raiser's Edge

► HOW DO I KNOW WHEN TO CREATE A CUSTOM REPORT?

- Canned report does not exist
- Canned report is not meeting your needs
 - Formatting
 - Sorting/Grouping
 - Data fields (not enough or too many)
- Need to combine data from multiple reports
- You are using Query as your reporting tool
- You are exporting to Excel and manually sorting, summarizing and formatting the data



CANNED REPORTS: CLOSE ONLY COUNTS IN HORSESHOES AND HAND GRENADES

► CANNED REPORTS

8/26/2013

Gift Detail and Summary Report

Page 1

Campaign ID	Gift Count	Cash	Stocks	Pledge Bal	MG Pledge Bal	Total
Unknown	171	\$125,150.00	\$751.00	\$9,100.00	\$1,135.00	\$136,136.00
ANNUAL	194	\$179,690.00	\$13,000.00	\$0.00	\$0.00	\$192,690.00
CAPITAL	214	\$203,575.00	\$77,300.00	\$11,600.00	\$1,125.00	\$293,600.00
ENDOW	85	\$275,900.00	\$5,250.00	\$0.00	\$0.00	\$281,150.00
MEMBER	84	\$207,885.00	\$0.00	\$0.00	\$0.00	\$207,885.00
PLANNED	19	\$190,200.00	\$100,850.00	\$200.00	\$0.00	\$291,250.00
PLAYGROUND	99	\$389,847.50	\$100,000.00	\$6,000.00	\$7,000.00	\$502,847.50
RELIEF	259	\$734,200.00	\$6,000.00	\$600.00	\$2,650.00	\$743,450.00
SCHOLAR	109	\$216,527.50	\$21,600.00	\$8,500.00	\$600.00	\$247,227.50
	Grand Totals:	\$2,522,975.00	\$324,751.00	\$36,000.00	\$12,510.00	\$2,896,236.00

1,234 Gift(s) listed

186 Donor(s) listed

▶ DO MOCK ME

CAMP FUNDS APPENDIX
Gift Detail and Summary Report

#08/2013 Page 1

Campaign ID	Desc	Gift Count	Cash	Block	Pledge Bal	MG Pledge	Total
Unknown	?	171	\$125,150.00	\$751.00	\$9,100.00	\$1,135.00	\$136,136.00
ANNUAL		194	\$179,600.00	\$13,000.00	\$0.00	\$0.00	\$192,600.00
CAPITAL		214	\$283,375.00	\$77,300.00	\$17,900.00	\$1,125.00	\$293,600.00
ENDOW		35	\$275,900.00	\$5,250.00	\$0.00	\$0.00	\$281,150.00
MEMBER		84	\$207,885.00	\$0.00	\$0.00	\$0.00	\$207,885.00
PLANNED		19	\$190,200.00	\$100,850.00	\$200.00	\$0.00	\$291,250.00
PLAYGROUND		99	\$389,847.50	\$100,000.00	\$6,000.00	\$7,000.00	\$503,847.50
RELIEF		259	\$734,200.00	\$6,000.00	\$0.00	\$2,650.00	\$743,450.00
SCHOLAR		109	\$205,527.50	\$21,600.00	\$8,500.00	\$600.00	\$247,227.50
Grand Totals:			\$2,522,975.00	\$324,751.00	\$45,000.00	\$12,510.00	\$2,896,236.00

1,234 Gift(s) listed
186 Donor(s) listed

DONOR COUNT

SUB TOTALS TOO!

JOSH,
CAN WE MAKE THESE MINOR CHANGES?
AS AP
THANKS!

► FROM ZERO TO HERO

Gift Detail Report Grouped by Campaign, Fund, Appeal As of September 30, 2013

Gift Date	Gift Amount
Annual Campaign	
2001 Annual Fund	
2001 Annual Phonathon	
11/14/2006	\$500.00
Appeal total for 2001 Annual Phonathon	\$500.00
Millennium Direct Mailing	
6/14/2001	\$50.00
Appeal total for Millennium Direct Mailing	\$50.00
Fund total for 2001 Annual Fund	\$550.00
2002 Annual Fund	
3/1/2006	\$300.00
Appeal total for Annual Mailing	\$300.00
9/16/2002	\$2,500.00
Appeal total for Annual Mailing Unsolicited	\$2,500.00
2/4/2006	\$5,000.00
1/7/2005	\$500.00
Appeal total for Unsolicited	\$5,500.00
Fund total for 2002 Annual Fund	\$8,300.00
2003 Annual Fund	
Direct Mailing	
8/6/2003	\$300.00
9/2/2003	\$300.00
7/30/2003	\$1,500.00
Appeal total for Direct Mailing	\$2,100.00
Proposal Appeal	
2/7/2003	\$5,000.00
Appeal total for Proposal Appeal	\$5,000.00
Unsolicited	
3/17/2003	\$5,000.00
Appeal total for Unsolicited	\$5,000.00
Fund total for 2003 Annual Fund	\$12,100.00
2004 Annual Fund	
6/25/2004	\$125.00
7/2/2004	\$125.00

Appeal

Fund

Subtotals

Grand Totals

Campaign



THREE'S A CROWD.

▶ A LITTLE FROM HERE, A LOT FROM THERE

02/28/2012 **Gift Detail and Summary Report** Page 1

Constituent Name	Date	Fund Description	Cash	Stocks	Pledge Bal	MG Pledge Bal
AAA Concrete	8/9/2007	Science Center Fund	\$0.00	\$0.00	\$0.00	\$1,000.00
	9/10/2007	Smith-Brown Scholars	\$475.00	\$0.00	\$0.00	\$0.00
	9/10/2007	Science Center Fund	\$475.00	\$0.00	\$0.00	\$0.00
	9/1/2007	Smith-Brown Scholars	\$0.00	\$0.00	\$0.00	\$150.00
	12/3/2007	Smith-Brown Scholars	\$0.00	\$0.00	\$0.00	\$150.00
ABC Learning Center	5/22/2007	President's Development	\$0.00	\$1,000.00	\$0.00	\$0.00
Matt. D. Adamsen	2/2/2007	Smith-Brown Scholars	\$50.00	\$0.00	\$0.00	\$0.00
	4/3/2007	2007 Membership Fund	\$250.00	\$0.00	\$0.00	\$0.00
Anon/mouse	2/1/2007	Building Fund	\$10,000.00	\$0.00	\$0.00	\$0.00
	6/5/2007	2007 Membership Fund	\$5,000.00	\$0.00	\$0.00	\$0.00
	4/8/2007	Building Fund	\$500.00	\$0.00	\$0.00	\$0.00
	4/13/2007	2007 Membership Fund	\$500.00	\$0.00	\$0.00	\$0.00
	4/13/2007	2007 Membership Fund	\$250.00	\$0.00	\$0.00	\$0.00
	4/19/2007	2007 Membership Fund	\$1,000.00	\$0.00	\$0.00	\$0.00
	5/2/2007	Building Fund	\$0.00	\$100,000.00	\$0.00	\$0.00
	5/2/2007	2007 Membership Fund	\$100.00	\$0.00	\$0.00	\$0.00
	5/2/2007	2007 Membership Fund	\$0.00	\$0.00	\$0.00	\$0.00
	5/2/2007	2007 Membership Fund	\$0.00	\$0.00	\$0.00	\$0.00
	9/10/2007	2007 Membership Fund	\$0.00	\$0.00	\$0.00	\$0.00
	10/3/2007	Library Fund	\$0.00	\$0.00	\$0.00	\$0.00
	9/3/2007	Library Fund	\$0.00	\$0.00	\$0.00	\$0.00
	10/3/2007	Library Fund	\$0.00	\$0.00	\$0.00	\$0.00
	11/3/2007	Library Fund	\$0.00	\$0.00	\$0.00	\$0.00
	12/3/2007	Library Fund	\$0.00	\$0.00	\$0.00	\$0.00
Elizabeth A. Ashby	1/18/2007	2007 Annual Fund	\$0.00	\$0.00	\$0.00	\$0.00
Lacy G. Aydenko	11/1/2007	Natural Disaster Relief F	\$0.00	\$0.00	\$0.00	\$0.00
	11/1/2007	Natural Disaster Relief F	\$0.00	\$0.00	\$0.00	\$0.00
	12/1/2007	Natural Disaster Relief F	\$0.00	\$0.00	\$0.00	\$0.00
Rodney A. Barlow	1/1/2007	Computer Equipment	\$0.00	\$0.00	\$0.00	\$0.00
	2/1/2007	Computer Equipment	\$0.00	\$0.00	\$0.00	\$0.00
	3/1/2007	Computer Equipment	\$0.00	\$0.00	\$0.00	\$0.00
	4/1/2007	Computer Equipment	\$0.00	\$0.00	\$0.00	\$0.00

02/28/2012 **Action Summary Report** Page 1

Action Category	Total
Plan/Call	1
Meeting	2
Event	15
Travel/Other	12
Advocacy	9
action category (1) total	50

02/28/2012 **Proposal Pipeline Summary** Page 1

Solicitor	Closed	Disqualified	Follow-Up	Identification	Proposal	Research	Stewardship
Alison E. Andrews	1	1	0	1	0	0	1
Kathleen R. Bentley	1	0	0	0	0	0	0
Zachary J. Clough	0	0	0	0	0	0	0
Ellen M. Friedman	0	0	0	0	0	0	0
Carl M. Hamer	1	0	0	1	0	0	0
Stevenc Kovalak	0	0	0	0	0	1	0
Audrey J. Leman	0	0	0	0	0	0	1
David B. Mungby	0	0	1	0	1	0	0
Mohammed Rahman	0	1	0	0	0	0	1
May Beth Richardson	0	0	0	0	0	0	0
Theresa P. Stadler	0	0	0	0	0	0	0
Jana C. Stedman	0	0	0	0	0	0	0
Alison S. Taylor	0	0	0	0	0	0	0
Nicholas Vincent	0	0	0	0	0	0	2
<Unknown>	0	2	1	2	1	0	0
Total:	3	5	2	4	2	1	5



**AKM Zoological Federation
Percent of Asks per Visit
Goal: 95%**

Jane Solicitor

	<u>Action Dates</u>	<u>Ask Dates</u>	
Allan Konigsberg	02/27/2013 02/27/2013	07/1/2013 12/28/2012	
Stefani Germanotta	12/10/2012	03/11/2013 12/4/2012	
Alaskan Foundation for Cheetahs	02/28/2013		
Bindi Irwin	12/10/2012	07/1/2013 05/1/2013	
Jack Hanna	02/27/2013	09/2/2013 08/3/2012	
Phineas T. Barnum	02/27/2013	02/28/2013	
	<u>7</u>	<u>9</u>	128.57%

JANE! GET ME OFF THIS CRAZY THING!

Monthly Reconciliation Report - July 2013

Gift Date	Donor Name	Amount	Payment Method	Check number	Credit Card Number	Cardholder Name	Soft Credit Donor Name	Notes
FUND CATEGORY: Temporarily Restricted								
FUND: TR-CAP-BLDGB								
06/05/2013	Raymond	\$40.00	Credit Card		???????????	Denise		
06/07/2013	Charles	\$500.00	Credit Card		???????????	Susan		
06/10/2013	Jill	\$100.00	Credit Card		???????????	J.K.		
06/10/2013	David	\$1,000.00	Personal Check	1774				check # 1774 is for \$7700, which includes tuition and a donation
06/10/2013	Joe	\$500.00	Personal Check	8328				
06/11/2013	Thomas	\$1,000.00	Personal Check	1024				pledge pymt.
06/11/2013	Tom	\$5,000.00	Personal Check	3235				ins of 1/25/2013
06/12/2013	G. William	\$40.00	Personal Check	2653				
06/12/2013	Ruth	\$75.00	Personal Check	2486				
06/12/2013	Sheril	\$300.00	Personal Check	2971				
06/12/2013	Marv	\$10.00	Personal Check	11481				
06/17/2013	Charles	\$1,000.00	Personal Check	10360				
06/17/2013	Kendall	\$100.00	Personal Check	1639				
06/23/2013	Samuel	\$50,000.00	Business Check	5126			Samuel	this check is in the name of and lists the business address. Hi
06/24/2013	Gordon	\$100.00	Personal Check	1485				pledge pymt.
FUND TOTAL:		\$58,765.00						
FUND: TR-FUTURE USE								
06/01/2013			Business Check	312084			Scott	directed by Scott for the
FUND TOTAL:		\$5,700.00						
FUND: TR-SC-ABEL								
06/04/2013	Anonymous	\$9.62	Cash					cash from classroom, total was \$19.25 split between fun
06/23/2013	Sara	\$10.00	Other					ins of 6/23/2013
06/23/2013	Beverly	\$5.00	Other					ins of 6/23/2013
06/23/2013	Gayle	\$5.00	Other					ins of 6/23/2013
06/23/2013	Kathleen	\$10.00	Other					ins of 6/23/2013
06/23/2013	Lisa	\$10.00	Other					ins of 6/23/2013
06/23/2013	Shelley	\$7.50	Other					ins of 6/23/2013
06/23/2013	Carey	\$5.00	Other				Michael	ins of 6/23/2013
06/23/2013	Michael	\$5.00	Other				Carey	ins of 6/23/2013
06/23/2013	Kris	\$10.00	Other				Vanessa	ins of 6/23/2013
06/23/2013	Jessica	\$2.50	Other					ins of 6/23/2013
06/23/2013	Aime	\$5.00	Other					ins of 6/23/2013
06/23/2013	Sarah	\$2.50	Other					ins of 6/23/2013



Monthly Reconciliation Report - July 2013

Gift Date Donor Name Amount Payment Method Check number

FUND CATEGORY: Temporarily Restricted

FUND: TR-CAP-BLDG8				
06/05/2013	Raymond	\$40.00	Credit Card	
06/07/2013	Charles	\$500.00	Credit Card	
06/10/2013	Jill	\$100.00	Credit Card	
06/10/2013	David	\$1,000.00	Personal Check	1774
06/10/2013	Joe	\$500.00	Personal Check	8329
06/11/2013	Thomas	\$1,000.00	Personal Check	1024
06/11/2013	Tom	\$5,000.00	Personal Check	3235
06/12/2013	C. William	\$40.00	Personal Check	2853
06/12/2013	Ruth	\$75.00	Personal Check	2466
06/12/2013	Sherif	\$300.00	Personal Check	2971
06/12/2013	Marv	\$10.00	Personal Check	11481
06/17/2013	Charles	\$1,000.00	Personal Check	10360
06/17/2013	Kendall	\$100.00	Personal Check	1639
06/23/2013	Samuel	\$50,000.00	Business Check	5128
06/24/2013	Gordon	\$100.00	Personal Check	1465
FUND TOTAL:		\$59,765.00		
FUND: TR-FUTURE USE				
06/01/2013			Business Check	312084
FUND TOTAL:		\$5,700.00		
FUND: TR-SC-ABEL				

INVEST IN YOUR FUTURE

► INTERNAL RATINGS CRITERIA

- Donor Rating 4 (high)
 - Total Lifetime Giving \geq \$5,000
- Donor Rating 3
 - Total Lifetime Giving \geq \$2,000
- Donor Rating 2
 - Total Lifetime Giving \geq \$1,000
- Donor Rating 1 (low)
 - Total Lifetime Giving \geq \$250

Determine
Initial DA
Ratings based
on Criteria

Create export file
with new and
updated ratings.
Produce report of
new and updated
ratings for
fundraisers.

Import/Update
ratings.

Export new
donors since
last update &
donors with
ratings

Determine
new/current rating
and if new rating is
different than
current.

CnBio_ID	CnBio_Name	FirstGiftD	FirstGiftAmount	TotalGivingAll	TotalGiving5Years	NumberOfGifts	State	Current Rating in RE	New Rating	UpdatedRating
178903		12/17/12	\$50.00	\$450.00	\$450.00	9	OH		DA 1	DA 1
179729		12/19/12	\$70.00	\$470.00	\$470.00	9	CO		DA 1	DA 1
113405		2/12/98	\$50.00	\$550.00	\$500.00	5	NY		DA 1	DA 1
175970		4/2/12	\$100.00	\$500.00	\$500.00	5	NM		DA 1	DA 1
61753		4/26/12	\$200.00	\$500.00	\$500.00	2	NY		DA 1	DA 1
144187		6/11/11	\$100.00	\$550.00	\$550.00	3	NY		DA 1	DA 1
165761		12/2/11	\$50.00	\$645.00	\$645.00	8	MA		DA 1	DA 1
48466		11/2/07	\$50.00	\$650.00	\$650.00	3	NY		DA 1	DA 1
176852		8/16/12	\$50.00	\$691.00	\$691.00	2	MN		DA 1	DA 1
181408		1/26/13	\$100.00	\$700.00	\$700.00	3	AL		DA 1	DA 1
182079		3/1/13	\$200.00	\$750.00	\$750.00	4	TX		DA 1	DA 1
177262		8/30/12	\$93.87	\$891.87	\$891.87	3	TN		DA 1	DA 1
182143		3/11/13	\$150.00	\$900.00	\$900.00	6	OR		DA 1	DA 1
46235		3/27/98	\$75.00	\$6,225.00	\$2,300.00	15	IN	DA 1	DA 4	DA 4
90975		5/1/96	\$35.00	\$471.00	\$120.00	34	MN	DA 1	DA 3	DA 3
10066		9/1/91	\$35.00	\$505.00	\$130.00	31	MI	DA 1	DA 3	DA 3
113866		3/2/98	\$20.00	\$470.00	\$130.00	31	NY	DA 1	DA 3	DA 3
122801		11/13/98	\$130.00	\$554.62	\$181.62	35	OR	DA 1	DA 3	DA 3

→ RE

if (({CnPrRat_1.CnPrRat_1_Category}

<> {@NewRating}))

or IsNull({CnPrRat_1.CnPrRat_1_Category}))

then {@NewRating}

WHERE'S MY SEAT?!

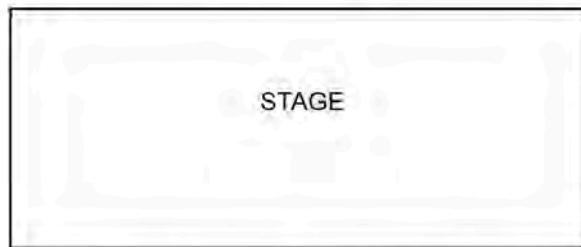
Gala Seating Chart
As of 9/30/2013

1 Table Name

- 1 Lorenda
- 2 Bonnie
- 3 Ron
- 4 Mike
- 5 Deb
- 6 Deb
- 7 Ron
- 8 Devin
- 9 Mindy
- 10 Chloe

2 Table Name

- 1 D'Ayn
- 2 Kate
- 3 Gordy
- 4 Shelly
- 5 Mitch
- 6 Pam
- 7 Dave
- 8 Karen
- 9 Nate
- 10 Mary



3 Table Name

- 1 Lorenda
- 2 Bonnie
- 3 Ron
- 4 Mike
- 5 Deb
- 6 Deb
- 7 Ron
- 8 Devin
- 9 Mindy
- 10 Chloe

4 Table Name

- 1 Lorenda
- 2 Bonnie
- 3 Ron
- 4 Mike
- 5 Deb
- 6 Deb
- 7 Ron
- 8 Devin
- 9 Mindy
- 10 Chloe

5 Table Name

- 1 D'Ayn
- 2 Kate
- 3 Gordy
- 4 Shelly
- 5 Mitch
- 6 Pam
- 7 Dave
- 8 Karen
- 9 Nate
- 10 Mary

6 Table Name

- 1 Lorenda
- 2 Bonnie
- 3 Ron
- 4 Mike
- 5 Deb
- 6 Deb
- 7 Ron
- 8 Devin
- 9 Mindy
- 10 Chloe

7 Table Name

- 1 Lorenda
- 2 Bonnie
- 3 Ron
- 4 Mike
- 5 Deb
- 6 Deb
- 7 Ron
- 8 Devin
- 9 Mindy
- 10 Chloe

8 Table Name

- 1 Lorenda
- 2 Bonnie
- 3 Ron
- 4 Mike
- 5 Deb
- 6 Deb
- 7 Ron
- 8 Devin
- 9 Mindy
- 10 Chloe

9 Table Name

- 1 Lorenda
- 2 Bonnie
- 3 Ron
- 4 Mike
- 5 Deb
- 6 Deb
- 7 Ron
- 8 Devin
- 9 Mindy
- 10 Chloe

10 Table Name

- 1 Lorenda
- 2 Bonnie
- 3 Ron
- 4 Mike
- 5 Deb
- 6 Deb
- 7 Ron
- 8 Devin
- 9 Mindy
- 10 Chloe

11 Table Name

- 1 Lorenda
- 2 Bonnie
- 3 Ron
- 4 Mike
- 5 Deb
- 6 Deb
- 7 Ron
- 8 Devin
- 9 Mindy
- 10 Chloe

12 Table Name

- 1 Lorenda
- 2 Bonnie
- 3 Ron
- 4 Mike
- 5 Deb
- 6 Deb
- 7 Ron
- 8 Devin
- 9 Mindy
- 10 Chloe

13 Table Name

- 1 Lorenda
- 2 Bonnie
- 3 Ron
- 4 Mike
- 5 Deb
- 6 Deb
- 7 Ron
- 8 Devin
- 9 Mindy
- 10 Chloe

14 Table Name

- 1 Lorenda
- 2 Bonnie
- 3 Ron
- 4 Mike
- 5 Deb
- 6 Deb
- 7 Ron
- 8 Devin
- 9 Mindy
- 10 Chloe

15 Table Name

- 1 Lorenda
- 2 Bonnie
- 3 Ron
- 4 Mike
- 5 Deb
- 6 Deb
- 7 Ron
- 8 Devin
- 9 Mindy
- 10 Chloe

16 Table Name

- 1 Lorenda
- 2 Bonnie
- 3 Ron
- 4 Mike
- 5 Deb
- 6 Deb
- 7 Ron
- 8 Devin
- 9 Mindy
- 10 Chloe

17 Table Name

- 1 Lorenda
- 2 Bonnie
- 3 Ron
- 4 Mike
- 5 Deb
- 6 Deb
- 7 Ron
- 8 Devin
- 9 Mindy
- 10 Chloe

18 Table Name

- 1 Lorenda
- 2 Bonnie
- 3 Ron
- 4 Mike
- 5 Deb
- 6 Deb
- 7 Ron
- 8 Devin
- 9 Mindy
- 10 Chloe

19 Table Name

- 1 Lorenda
- 2 Bonnie
- 3 Ron
- 4 Mike
- 5 Deb
- 6 Deb
- 7 Ron
- 8 Devin
- 9 Mindy
- 10 Chloe

20 Table Name

- 1 Lorenda
- 2 Bonnie
- 3 Ron
- 4 Mike
- 5 Deb
- 6 Deb
- 7 Ron
- 8 Devin
- 9 Mindy
- 10 Chloe

21 Table Name

- 1 Lorenda
- 2 Bonnie
- 3 Ron
- 4 Mike
- 5 Deb
- 6 Deb
- 7 Ron
- 8 Devin
- 9 Mindy
- 10 Chloe

22 Table Name

- 1 Lorenda
- 2 Bonnie
- 3 Ron
- 4 Mike
- 5 Deb
- 6 Deb
- 7 Ron
- 8 Devin
- 9 Mindy
- 10 Chloe

► SEATING CHART

Start Page GalaSeatingChart X

Design

Report Header

Page Header

**American Indian College Fund
Flame of Hope Gala Seating Chart
As of {Data Date}**

Details

	Prt_Table_Row_Name		Prt_Seating_Table_Row			
Report Footer a	GalaSeatingChartTable.	GalaSeatingChartTable.	STAGE		GalaSeatingChartTable	GalaSeatingChartTable
Report Footer b	GalaSeatingChartTable.	GalaSeatingChartTable.	GalaSeatingChartTable.	GalaSeatingChartTable.	GalaSeatingChartTable	GalaSeatingChartTable
Report Footer c	GalaSeatingChartTable.	GalaSeatingChartTable.	GalaSeatingChartTable.	GalaSeatingChartTable.	GalaSeatingChartTable	GalaSeatingChartTable
Report Footer d	GalaSeatingChartTable.	GalaSeatingChartTable.	GalaSeatingChartTable.	GalaSeatingChartTable.	GalaSeatingChartTable	GalaSeatingChartTable
Report Footer e	GalaSeatingChartTable.	GalaSeatingChartTable.	GalaSeatingChartTable.	GalaSeatingChartTable.	GalaSeatingChartTable	GalaSeatingChartTable
Report Footer f	GalaSeatingChartTable.	GalaSeatingChartTable.	GalaSeatingChartTable.	GalaSeatingChartTable.	GalaSeatingChartTable	GalaSeatingChartTable
Report Footer g	GalaSeatingChartTable.	GalaSeatingChartTable.	GalaSeatingChartTable.	GalaSeatingChartTable.	GalaSeatingChartTable	GalaSeatingChartTable
Page Footer						

► SEATING CHART

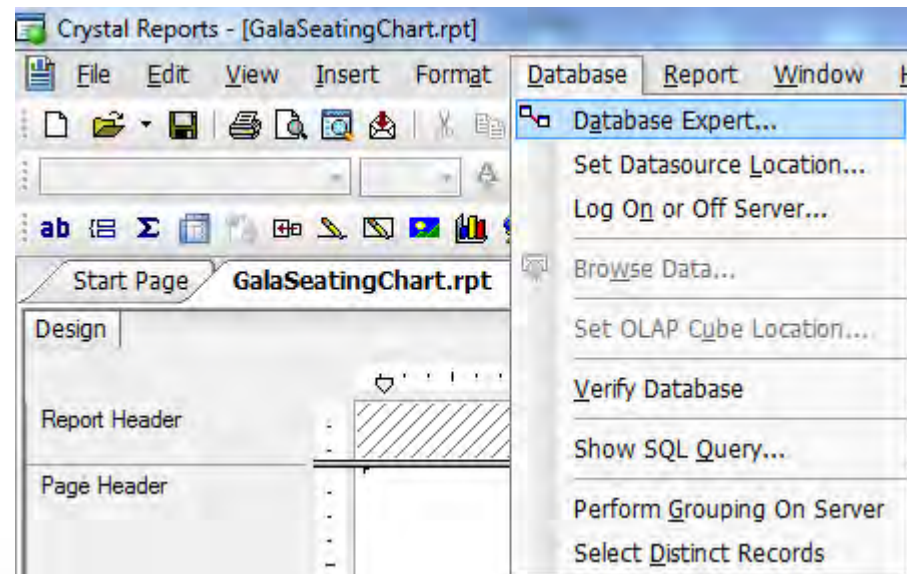
The screenshot shows a report design interface for a report titled "GalaSeatingChart". The design is organized into several sections:

- Report Header a:** A shaded header section.
- Report Header b:** A section containing the text "Print Dat".
- Report Header c:** A section containing the text "Prt Prt Name".
- Report Header d:** A shaded header section.
- Group Header #1:** A section containing the text "Grt Table Row Name".
- Details:** A section containing the text "ber Prt Name".
- Group Footer #1:** A section containing the text "Prt Prt Seating Table Row".
- Report Footer a:** A shaded footer section.
- Report Footer b:** A shaded footer section.

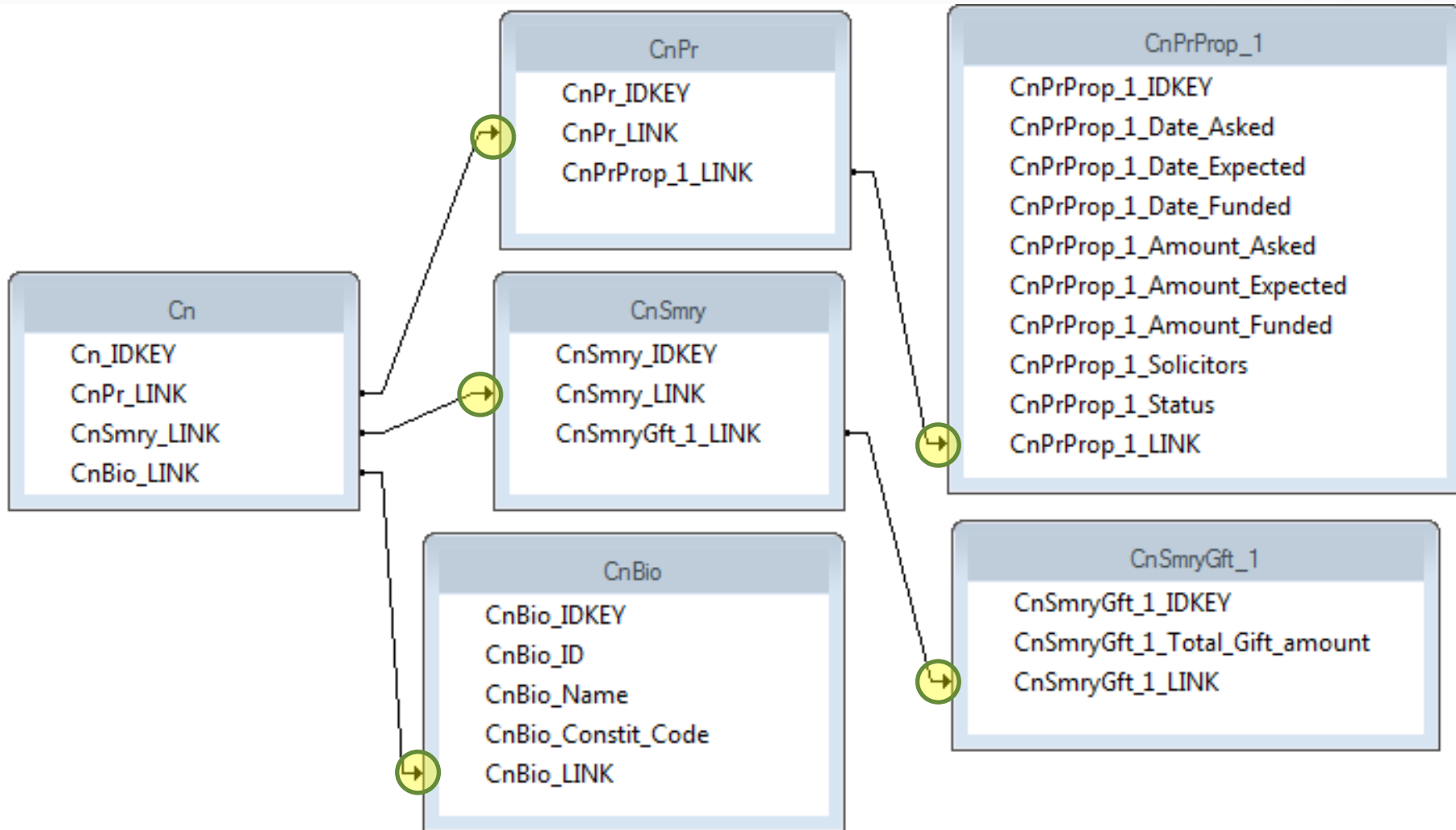
GRATUITY INCLUDED

▶ LEFT OUTER JOIN

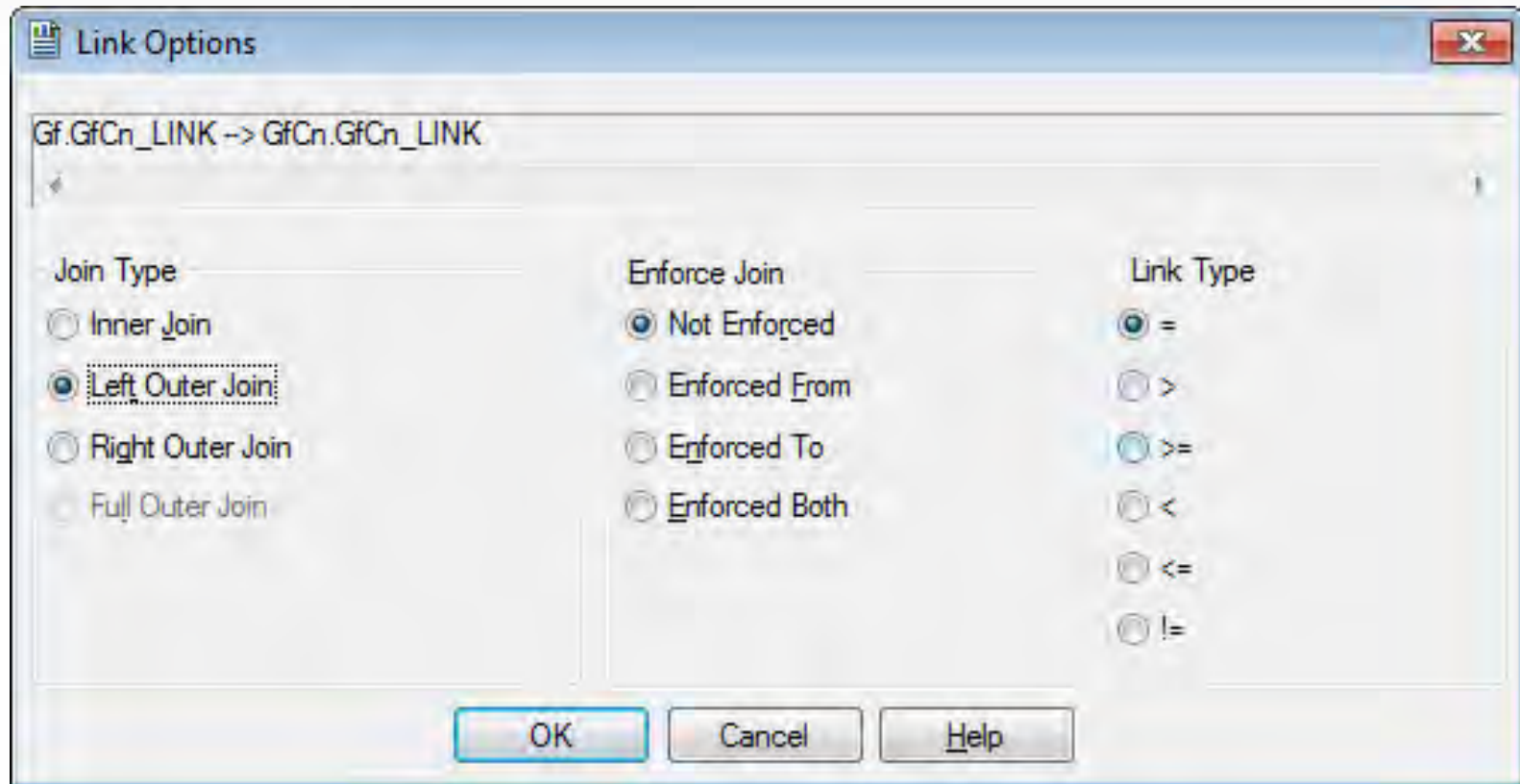
- Database menu
 - Database Expert...
 - Links tab



▶ LEFT OUTER JOIN



▶ LEFT OUTER JOIN



▶ INNER JOIN

Name	ConsID		ConsID	Phone
Angela	1		1	303-867-5309
Josh	2		1	720-426-8900
Bob	3		2	212-555-1212

Name	ConsID	Phone
Angela	1	303-867-5309
Angela	1	720-426-8900
Josh	2	212-555-1212

▶ LEFT OUTER JOIN

Name	ConsID		ConsID	Phone
Angela	1		1	303-867-5309
Josh	2		1	720-426-8900
Bob	3		2	212-555-1212

Name	ConsID	Phone
Angela	1	303-867-5309
Angela	1	720-426-8900
Josh	2	212-555-1212
Bob	3	

PARAMETERS

#262013 Page 1

Gift Detail and Summary Report

Constituent Name	Date	Fund Description	Cash	Stocks	Pledge Bal	MG Pledge Bal
AAA Concrete	8/5/2007	Science Center Fund	\$0.00	\$0.00	\$0.00	\$1,000.00
	9/10/2007	Smith-Brown Scholars	\$475.00	\$0.00	\$0.00	\$0.00
	5/10/2007	Science Center Fund	\$475.00	\$0.00	\$0.00	\$0.00
	10/1/2007	Smith-Brown Scholars	\$0.00	\$0.00	\$0.00	\$150.00
	12/3/2007	Smith-Brown Scholars	\$0.00	\$0.00	\$0.00	\$150.00
ABC Learning Center	5/22/2007	President's Development	\$0.00	\$1,000.00	\$0.00	\$0.00
	2/2/2007	Smith-Brown Scholars	\$50.00	\$0.00	\$0.00	\$0.00
Mark D. Adamsen	8/5/2007	2007 Membership Fund	\$250.00	\$0.00	\$0.00	\$0.00
	2/1/2007	Building Fund	\$10,000.00	\$0.00	\$0.00	\$0.00
Anonymous	9/5/2007	2007 Membership Fund	\$5,000.00	\$0.00	\$0.00	\$0.00
	4/8/2007	Building Fund	\$500.00	\$0.00	\$0.00	\$0.00
	4/13/2007	2007 Membership Fund	\$500.00	\$0.00	\$0.00	\$0.00
	4/13/2007	2007 Membership Fund	\$250.00	\$0.00	\$0.00	\$0.00
	4/19/2007	2007 Membership Fund	\$1,000.00	\$0.00	\$0.00	\$0.00
	5/2/2007	Building Fund	\$0.00	\$100,000.00	\$0.00	\$0.00
	5/2/2007	2007 Membership Fund	\$100.00	\$0.00	\$0.00	\$0.00
	5/2/2007	2007 Membership Fund	\$85.00	\$0.00	\$0.00	\$0.00
	5/2/2007	2007 Membership Fund	\$25,000.00	\$0.00	\$0.00	\$0.00
	5/10/2007	2007 Membership Fund	\$50.00	\$0.00	\$0.00	\$0.00
	9/3/2007	Library Fund	\$0.00	\$0.00	\$1,100.00	\$0.00
	9/3/2007	Library Fund	\$100.00	\$0.00	\$0.00	\$0.00
	10/3/2007	Library Fund	\$100.00	\$0.00	\$0.00	\$0.00
11/5/2007	Library Fund	\$100.00	\$0.00	\$0.00	\$0.00	
12/3/2007	Library Fund	\$100.00	\$0.00	\$0.00	\$0.00	
Elizabeth A. Ashion	1/19/2007	2007 Annual Fund	\$25.00	\$0.00	\$0.00	\$0.00
Lucy G. Avdenko	11/1/2007	Natural Disaster Relief F	\$0.00	\$0.00	\$0.00	\$0.00
	11/1/2007	Natural Disaster Relief F	\$100.00	\$0.00	\$0.00	\$0.00
	12/1/2007	Natural Disaster Relief F	\$100.00	\$0.00	\$0.00	\$0.00
Roxey A. Barlow	1/1/2007	Computer Equipment	\$15.00	\$0.00	\$0.00	\$0.00
	2/1/2007	Computer Equipment	\$15.00	\$0.00	\$0.00	\$0.00
	3/1/2007	Computer Equipment	\$15.00	\$0.00	\$0.00	\$0.00
	4/1/2007	Computer Equipment	\$15.00	\$0.00	\$0.00	\$0.00

Year = 2012- 2013

Year = 2013- 2014

Year = 2014- 2015

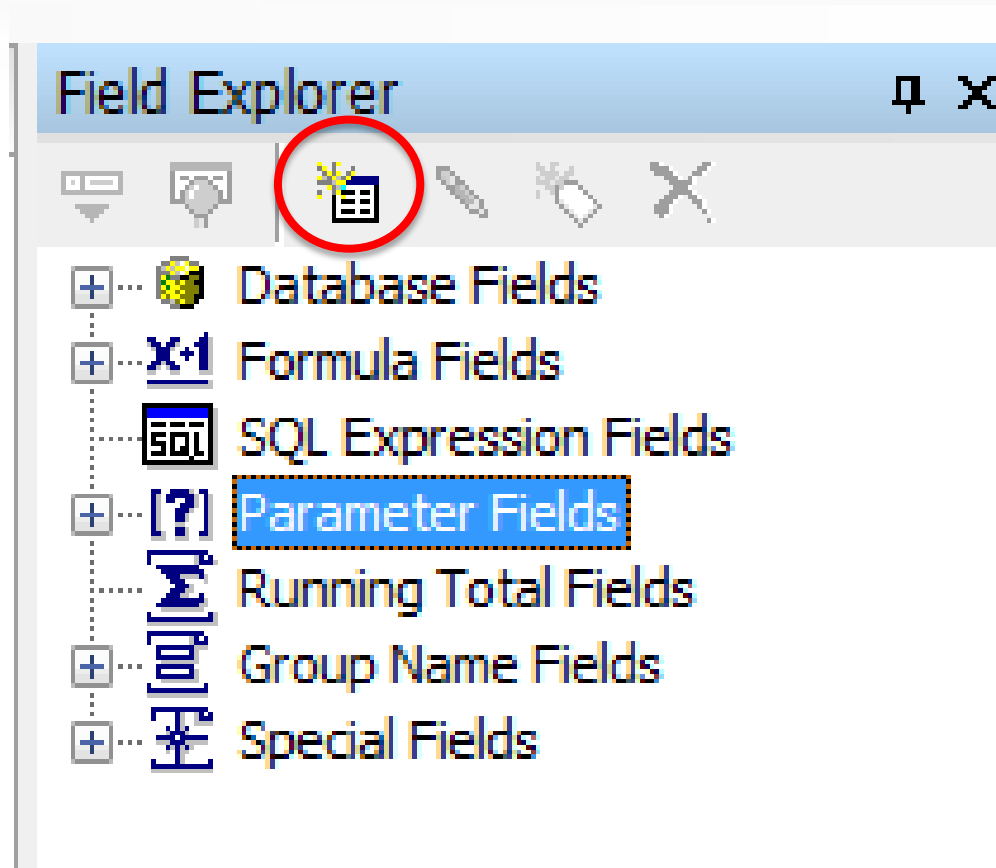
Year = 2015- 2016

Year = 2016- 2017

Year = 2017- 2018

Year = 2018- 2019

► PARAMETERS



PARAMETERS

Edit Parameter: Fiscal Year

Name: Type:

List of Values: Static Dynamic

Value Field: Description Field:

Insert | | Actions ▾

Value	Description
2012-2013	
2013-2014	
2014-2015	
2015-2016	
2016-2017	
2017-2018	

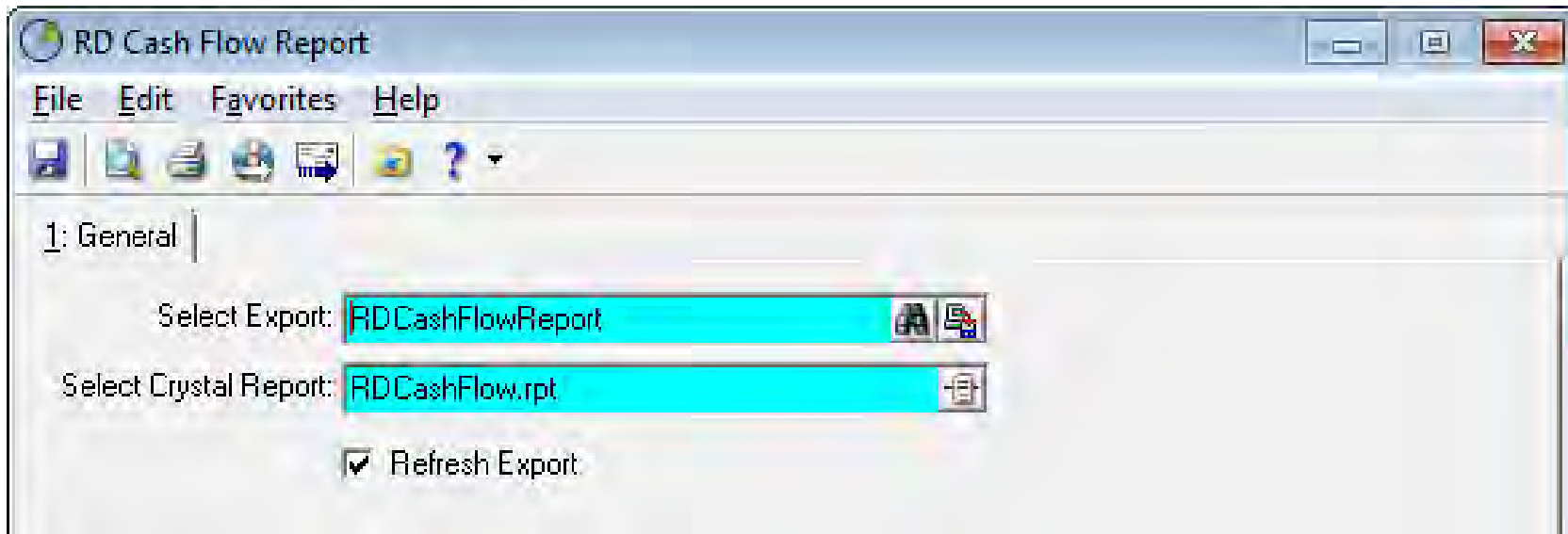
Options:

Option	Setting
Prompt Text	Enter Fiscal Year:
Prompt With Description Only	False
Default Value	2012-2013
Allow custom values	False
Allow multiple values	False

▶ PARAMETERS

The image shows a software dialog box titled "Enter Values". Inside the dialog, there is a section labeled "Enter Fiscal Year:" with a corresponding label "Fiscal Year" on the right. A dropdown menu is open, displaying a list of fiscal year options: "2012-2013", "...", "2012-2013", "2013-2014", "2014-2015", "2015-2016", "2016-2017", and "2017-2018". The "2012-2013" option is currently selected and highlighted in blue. At the bottom right of the dialog, there are two buttons: "OK" and "Cancel".

► CUSTOM REPORTS



► QUEUE

Daily Gift Report

File Edit Favorites Tools Help

Save and Close

Queue Processing Miscellaneous

Module	Category	Description
Reports	Custom Reports	New Daily Gift Report

New Daily Gift Report

Custom Report

- Action: Send as Mail
- Data Format: Acrobat Format
- Include Header

File Edit Favorites Tools Help

Save and Close

Queue Processing Miscellaneous

Frequency: Weekly Run as: Queue_User Run on: RDS

Every 1 week(s), starting at 5:00 AM

<input type="checkbox"/> Sunday	<input checked="" type="checkbox"/> Thursday
<input type="checkbox"/> Monday	<input checked="" type="checkbox"/> Friday
<input checked="" type="checkbox"/> Tuesday	<input checked="" type="checkbox"/> Saturday
<input checked="" type="checkbox"/> Wednesday	

Queue schedule start date: 1/25/2013 End date:

Next queue run date/time: 3/14/2013 5:00:00 AM

If an error occurs while running this queue, stop processing

If all items are processed successfully, delete this queue

This queue will run weekly.

3/13/2013

► **HELP**

- Blackbaud Support – Advantage Professional or Advantage Priority
- Blackbaud.com forums
- LinkedIn Groups
- Facebook Groups
- Blackbus.org forums
- Raiser's Edge Users Groups
- Crystal Reports Users Groups
- Google
- Email Angela and Josh

► SUMMARY

- When to use a Crystal Report
- “Modifying” canned reports
- Combining reports
- Automating processes
- Manipulating data
- Preparing import files
- Event seating charts
- Left Outer Join
- Parameters
- Custom Reports
- Queue
- Help

QUESTIONS AND (HOPEFULLY) ANSWERS

► THANK YOU!

Angela May
amay@denveracademy.org
linkedin.com/in/angelakmay

Joshua Bekerman
jbekerman@collegefund.org
linkedin.com/in/joshuabekerman